

ADVANTAGES OF USING MANIFOLDS

MULTI-PURPOSE: Standard Bar Manifolds to adapt to your usage.
Custom Manifolds to be designed to your needs and special requirements.

LABOR SAVINGS: Any number or type of valves can be mounted on a single manifold by interconnecting all lines internally in the manifold, many excess lines can be eliminated, leaving only machine or power unit connections to be externally connected.

VERSATILE: Manifolds can be designed to your specific circuit needs, space, valve and porting requirements.
Manifolds can be manufactured to any size.

PORT CONNECTIONS: Port connections are available to meet your requirements. Straight thread o'ring connections, pipe thread connections, flange connections, British and Metric thread connections.

MATERIAL: Your choice of steel, ductile iron, aluminum or special alloy steels are available to meet your special needs.

VALVES: We can manufacture a manifold to use any valve you would like to use, subplate or cartridge style. We have tooling for most cavities and our toolmakers can make any new tools in a very short period of time.

QUALITY: All manifolds are drilled from solid material to insure a leak free life. All manifolds are guaranteed to match the original circuit supplied, to be free of chips, dirt and defects. All parts are dipped in a rust preventative and wrapped in protective paper to insure cleanliness.

DESIGN: Our engineers design manifolds with conventional design practices and the latest CAD technology. Combining the best of both worlds and used in conjunction with our CAM capabilities, we can supply manifolds in a quick and timely manner.



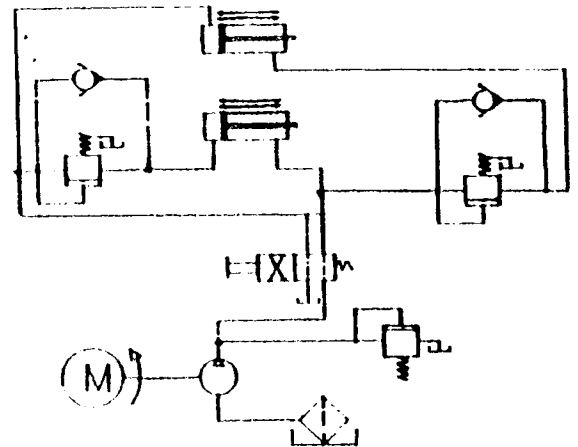
MED-KAS HYDRAULICS, INC.
P.O. BOX 1163 1419 JOHN R
TROY, MI. 48099 TROY, MI. 48083
TEL: 248-585-3220 FAX # 248 585-0646
WEB SITE: www.med-kas.com E-MAIL: info@med-kas.com

SPECIFICATIONS SUBJECT TO CHANGE WITHOUT NOTICE

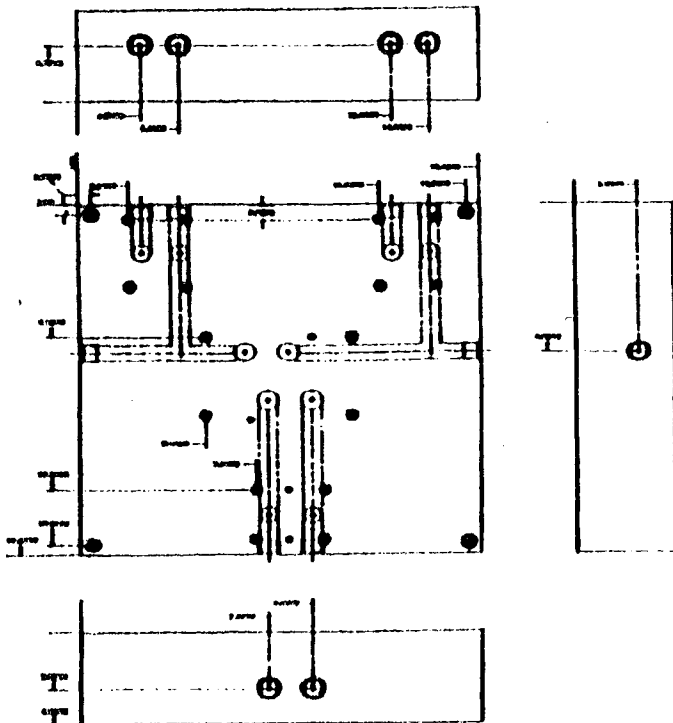
CUSTOM MANIFOLDS

YOU PROVIDE YOUR SCHEMATIC

- * Specifying material
- porting
- dimensions
- and any special requirements.



MED-KAS PROVIDES INSTALATION DRAWING



DRAWING SUBMITTED FOR YOUR APPROVAL



MED-KAS HYDRAULICS, INC.
P.O. BOX 1163 1419 JOHN R
TROY, MI. 48069 TROY, MI. 48063
TEL: 248-585-3220 FAX # 248 585-0646
WEB SITE: www.med-kas.com E-MAIL: info@med-kas.com

SPECIFICATIONS SUBJECT TO CHANGE WITHOUT NOTICE.