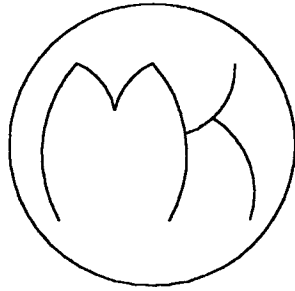


BAR MANIFOLDS



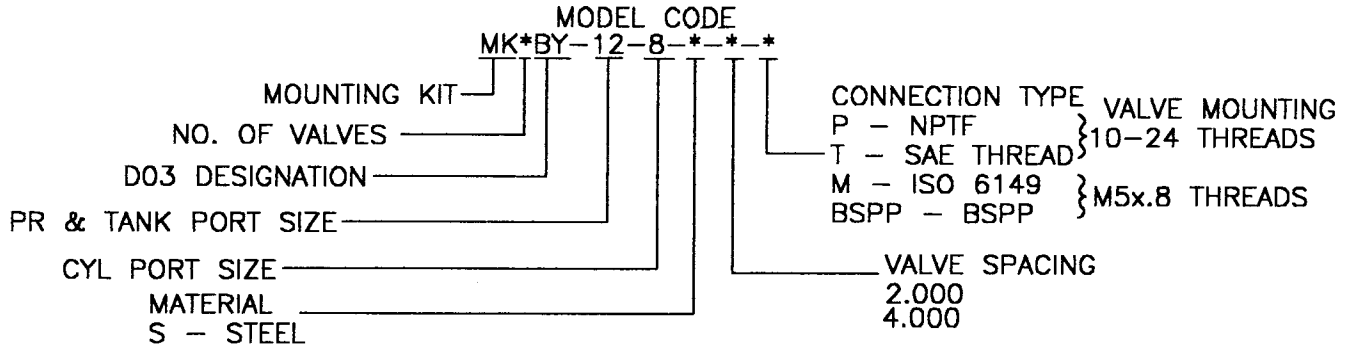
NFPA	STYLE	PAGE NO.
D03	PARALLEL CIRCUIT	5-2
D03	SERIES CIRCUIT	5-3
D05	PARALLEL CIRCUIT	5-4
D05	SERIES CIRCUIT	5-5
D05	PARALLEL CIRCUIT	5-6
	OVERSIZED PORTING	
D05	PARALLEL CIRCUIT	5-7
	FLANGE CONNECTIONS	
D07	PARALLEL CIRCUIT	5-8
D07	PARALLEL CIRCUIT	5-9
	FLANGE CONNECTIONS	
D08	PARALLEL CIRCUIT	5-10
D08	PARALLEL CIRCUIT	5-11
	OVERSIZED PORTING	
D08	PARALLEL CIRCUIT	5-12
	FLANGE CONNECTIONS	
D10	PARALLEL CIRCUIT	5-13
D10	PARALLEL CIRCUIT	5-14
	FLANGE CONNECTIONS	

MED-KAS HYDRAULICS, INC.
P.O. BOX 1163 1419 JOHN R
TROY, MI. 48099 TROY, MI. 48083
TEL: 248-585-3220 FAX # 248 585-0646
WEB SITE: www.med-kas.com E-MAIL: info@med-kas.com

SPECIFICATIONS SUBJECT TO CHANGE WITHOUT NOTICE

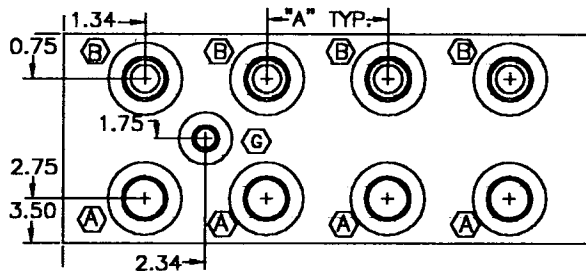
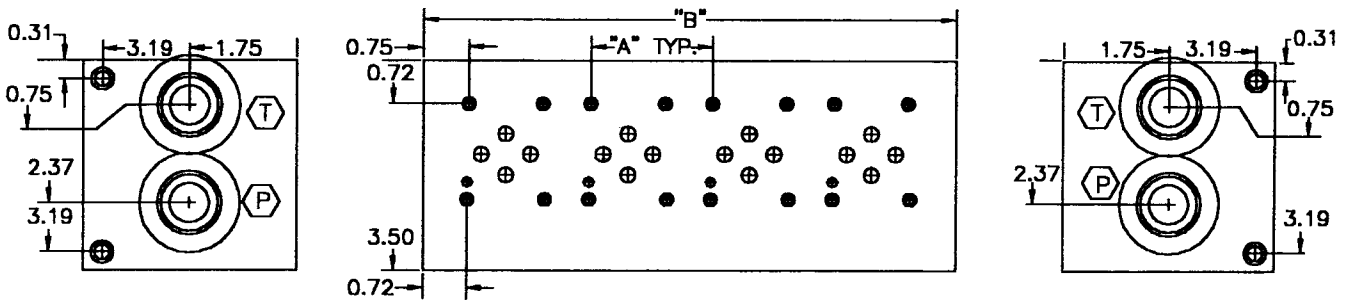
D03 PARALLEL CIRCUIT MANIFOLD

SEE TECHNICAL INFORMATION SECTION FOR VALVE MOUNTING DIMENSIONS



SPECIFICATIONS

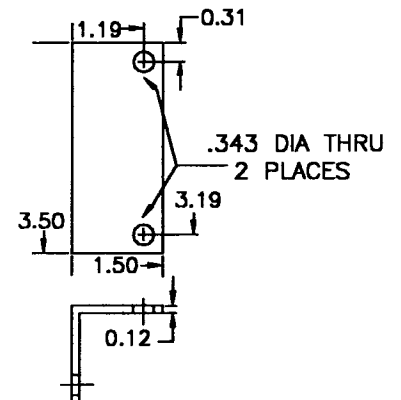
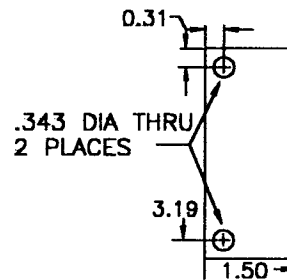
		"B" DIMENSION							
NO. OF STATIONS		1	2	3	4	5	6	7	8
"A"	2.00 CENTERS	3.25	4.75	6.75	8.75	10.75	12.75	14.75	16.75
"A"	4.00 CENTERS		8.75	12.75	16.75	20.75	24.75	28.75	32.75



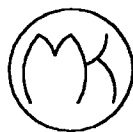
	PR & TK	A & B	GAGE
SAE THREAD	1.062-12	.750-16	.437-20
NPTF	.750-14	.500-14	.250-18
6149	M27x2	M18x1.5	M12x1.5
BSPP	.750x14	.500x14	.250x19

STANDARD FEATURES INCLUDE:
GAGE PORT WITH PLUG INSTALLED
(SAE AND NPT MANIFOLDS ONLY)

OVERSIZED PORTING
MOUNTING KIT CONSISTS OF:
2 BRACKETS
4. .312-18 HEX BOLTS
4. LOCK WASHERS



OPTIONAL FEATURES AVAILABLE:
RELIEF CAVITY



MED-KAS HYDRAULICS, INC.

P.O. BOX 1163

1419 JOHN R

TROY, MI. 48099

TROY, MI. 48083

TEL: 248-585-3220

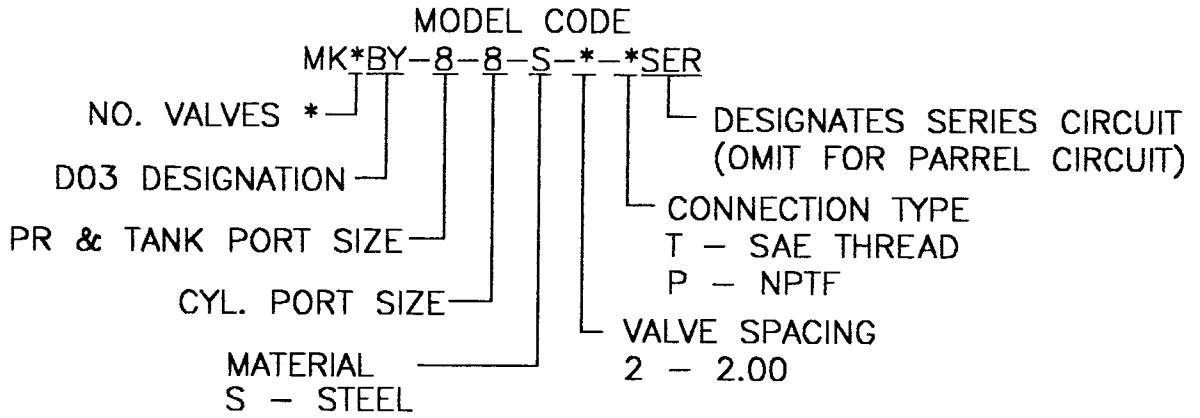
FAX # 248 585-0646

WEB SITE: www.med-kas.com

E-MAIL: info@med-kas.com

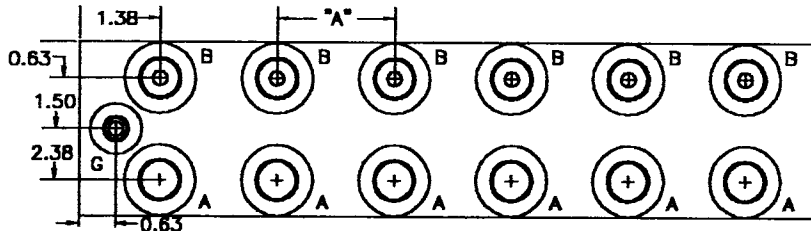
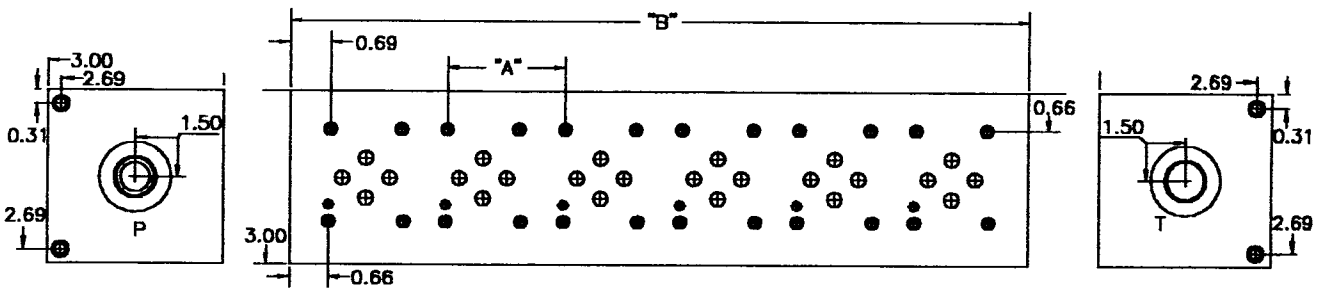
D03 SERIES CIRCUIT MANIFOLD

SEE TECHNICAL INFORMATION SECTION FOR VALVE MOUNTING DIMENSIONS



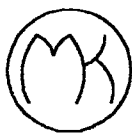
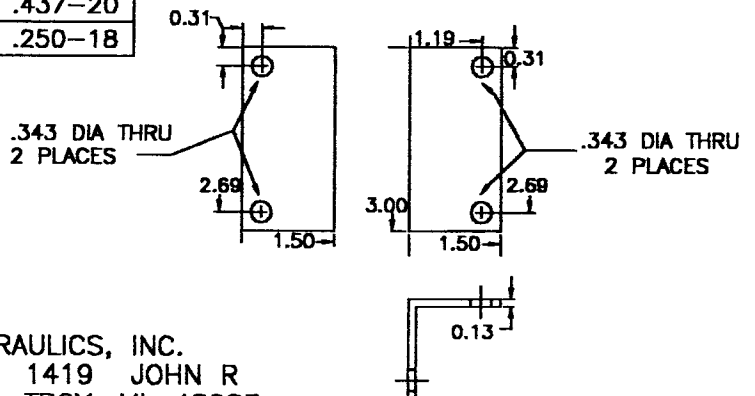
SPECIFICATIONS

		"B" DIMENSION						
NO. OF STATIONS		2	3	4	5	6	7	8
"A"	2.00 CENTERS	4.63	6.63	8.63	10.63	12.63	14.63	16.63
MTG. HOLES USED		AS SHOWN						



	PR & TK	A & B	GAGE
SAE THREAD	.750-16	.750-16	.437-20
NPTF	.500-14	.500-14	.250-18

- STANDARD FEATURES INCLUDE:
 PLUG INSTALLED IN GAGE PORT
 MOUNTING KIT CONSISTS OF:
 2. BRACKETS
 4. .312-18 HEX BOLTS
 4. LOCK WASHERS

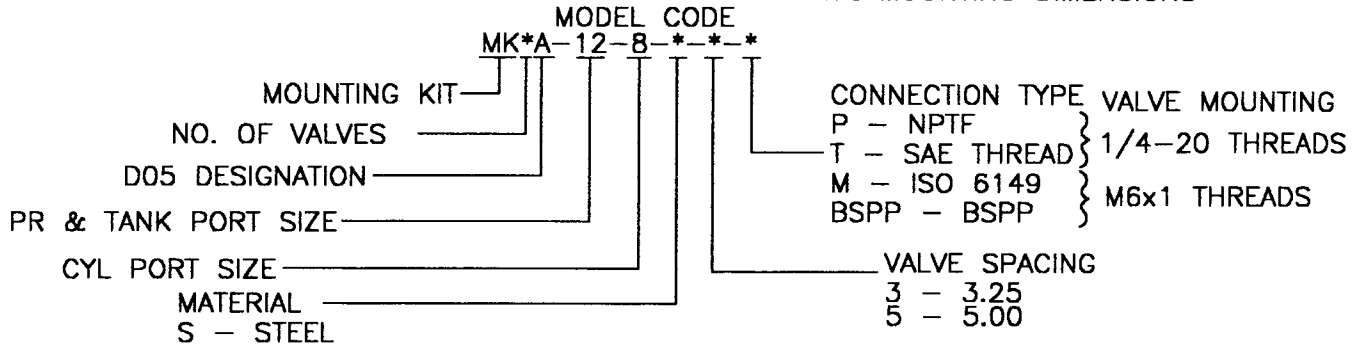


MED-KAS HYDRAULICS, INC.
 P.O. BOX 1163 1419 JOHN R
 TROY, MI. 48099 TROY, MI. 48083
 TEL: 248-585-3220 FAX # 248 585-0646
 WEB SITE: www.med-kas.com E-MAIL: info@med-kas.com

SPECIFICATIONS SUBJECT TO CHANGE WITHOUT NOTICE

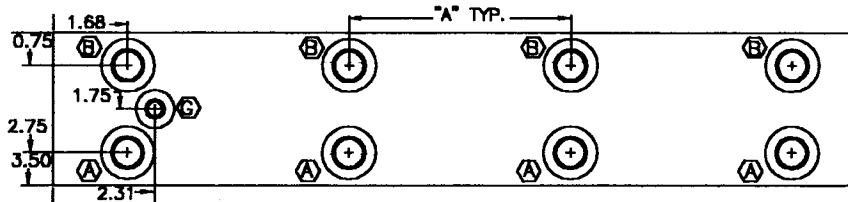
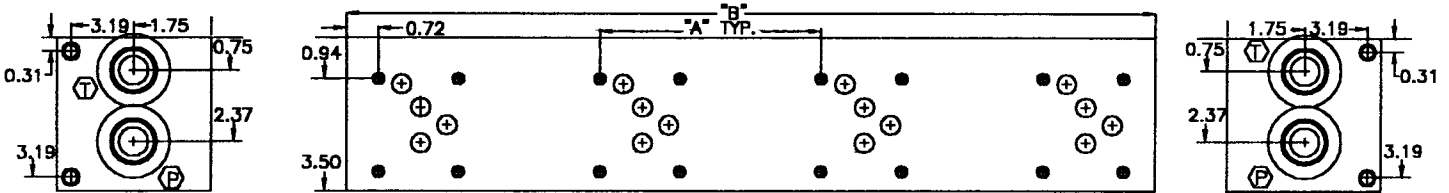
D05 PARALLEL CIRCUIT MANIFOLD

SEE TECHNICAL INFORMATION SECTION FOR VALVE MOUNTING DIMENSIONS

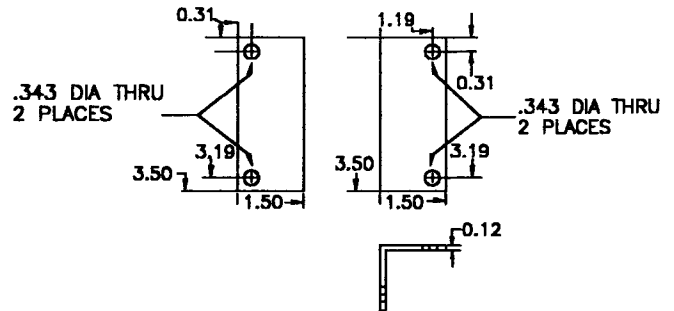


SPECIFICATIONS

"A"	NO. OF STATIONS	"B" DIMENSION							
		1	2	3	4	5	6	7	8
"A"	3.25 CENTERS	4.00	6.50	9.75	13.00	16.25	19.50	22.75	26.00
"A"	5.00 CENTERS		8.25	13.25	18.25	23.25	28.25	33.25	38.25



	PR & TK	A & B	GAGE
SAE THREAD	1.062-12=12T	.750-16=8T	.437-20
NPTF	.750-14=12	.500-14=8	.250-18
6149	M27x2=12T	M18x1.5=8T	M12x1.5
BSPP	.750x14=12	.500x14=8	.250x19



STANDARD FEATURES INCLUDE:
GAGE PORT WITH PLUG INSTALLED
(SAE AND NPT MANIFOLDS ONLY)
MOUNTING KIT CONSISTS OF:
2 BRACKETS
4. .312-18 HEX BOLTS
4. LOCK WASHERS

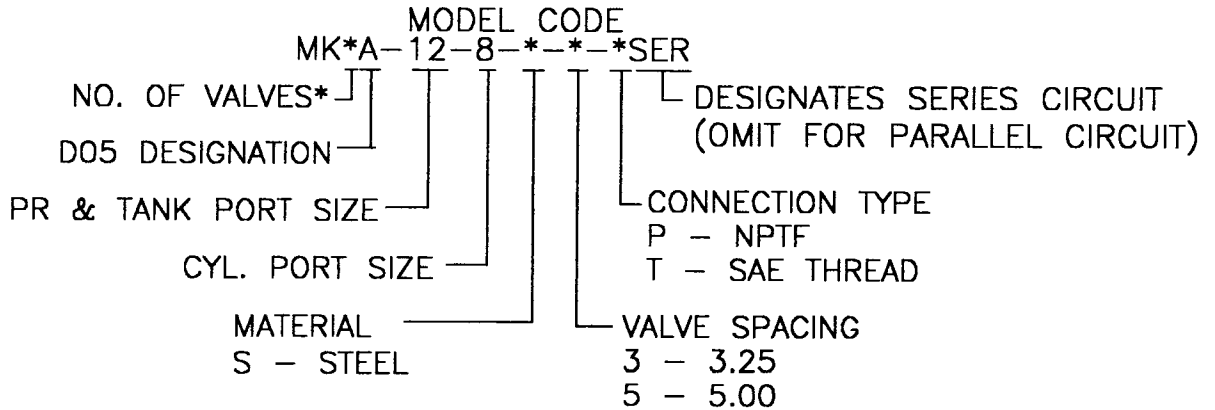
OPTIONAL FEATURES AVAILABLE:
RELIEF CAVITY



MED-KAS HYDRAULICS, INC.
P.O. BOX 1163 1419 JOHN R
TROY, MI. 48099 TROY, MI. 48083
TEL: 248-585-3220 FAX # 248 585-0646
WEB SITE: www.med-kas.com E-MAIL: info@med-kas.com

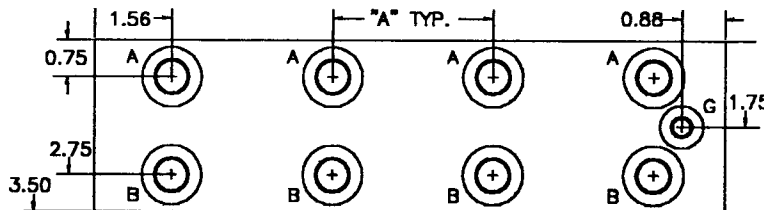
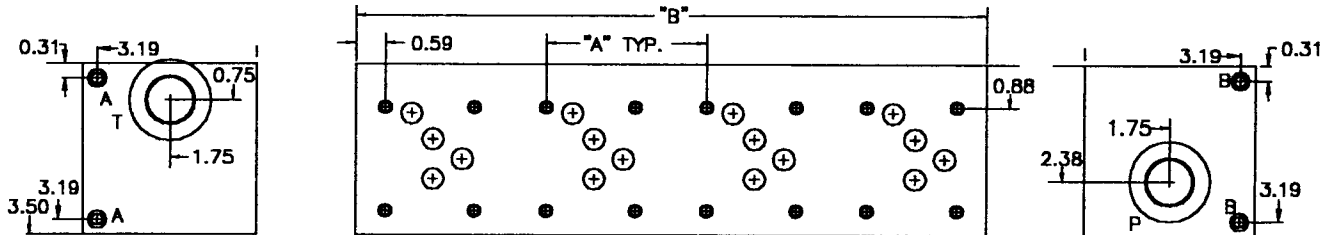
D05 SERIES CIRCUIT MANIFOLD

SEE TECHNICAL INFORMATION SECTION FOR VALVE MOUNTING DIMENSIONS



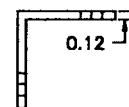
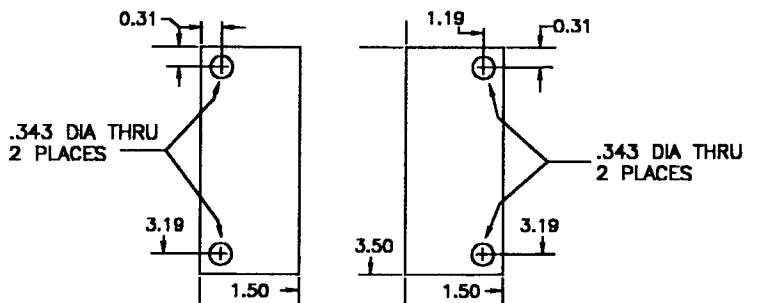
SPECIFICATIONS

		"B" DIMENSION		
NO. OF STATIONS		2	3	4
"A"	3.25 CENTERS	6.25	9.50	12.75
"A"	5.00 CENTERS	8.00	13.00	18.00
MTG.HOLES USED		A,B	A,B	A,B



	PR & TK	A & B	GAGE
SAE THREAD	1.062-12	.750-16	.437-20
NPTF	.750-14	.500-14	.250-18

STANDARD FEATURES INCLUDE:
PLUG INSTALLED IN GAGE PORT
MOUNTING KIT CONSISTS OF:
2. BRACKETS
4. .312-18 HEX BOLTS
4. LOCK WASHERS

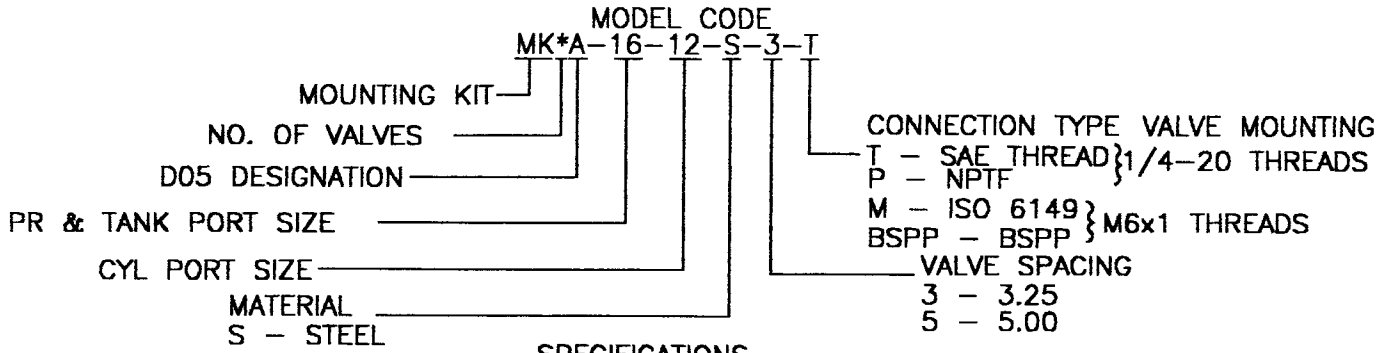


MED-KAS HYDRAULICS, INC.
P.O. BOX 1163 1419 JOHN R
TROY, MI. 48099 TROY, MI. 48083
TEL: 248-585-3220 FAX # 248 585-0646
WEB SITE: www.med-kas.com E-MAIL: info@med-kas.com

SPECIFICATIONS SUBJECT TO CHANGE WITHOUT NOTICE

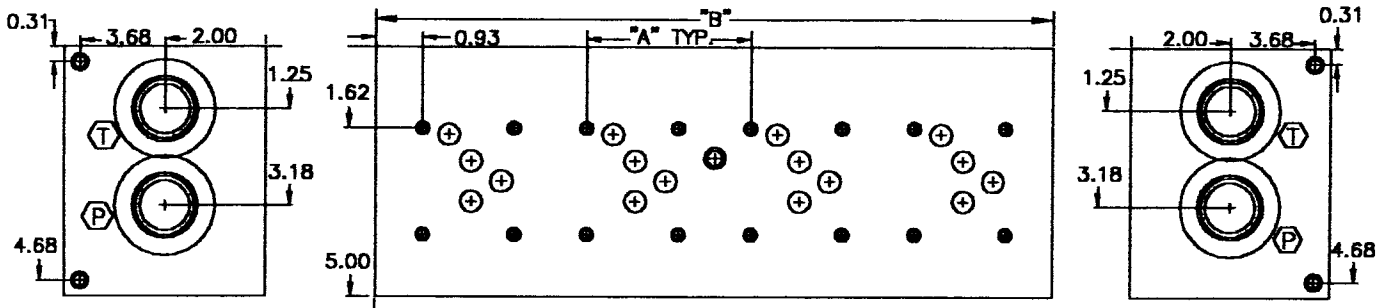
D05 PARALLEL CIRCUIT MANIFOLD

SEE TECHNICAL INFORMATION SECTION FOR VALVE MOUNTING DIMENSIONS

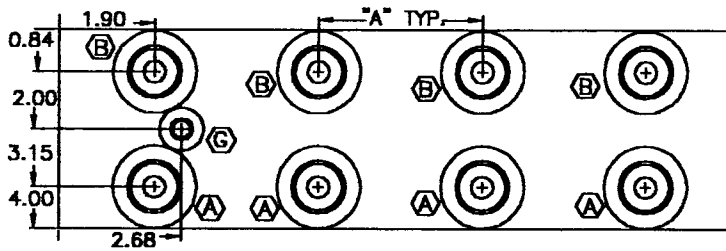


SPECIFICATIONS

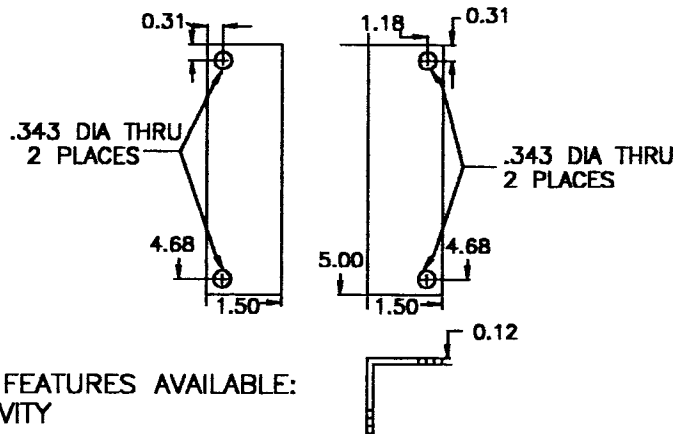
	NO. OF STATIONS	"B" DIMENSION							
		1	2	3	4	5	6	7	8
"A"	3.25 CENTERS	4.00	7.00	10.25	13.50	16.75	20.00	23.25	26.50
"A"	5.00 CENTERS		8.68	13.68	18.68	23.68	28.68	33.68	38.68



OPTIONAL PORTING NOT SHOWN:
INDIVIDUAL X, Y, AND L PORTS
TO ACCOMMODATE DOSH VALVES
SEE PAGE 5-14



	PR & TK	A & B	GAGE
SAE THREAD	1.312-12=16T	1.062-12=12T	.437-20
NPTF	1.312-12=16	1.062-12=12	.437-20
6149	M33x2=16T	M27x2=12T	M12x1.5
BSPP	1.25x11=16	.750x14=12	.250x19



STANDARD FEATURES INCLUDE:
GAGE PORT WITH PLUG INSTALLED
(SAE AND NPT MANIFOLDS ONLY)
OVERSIZED PORTING
MOUNTING KIT CONSISTING OF:

- 2 BRACKETS
- 4. .312-18 HEX BOLTS
- 4. LOCK WASHERS

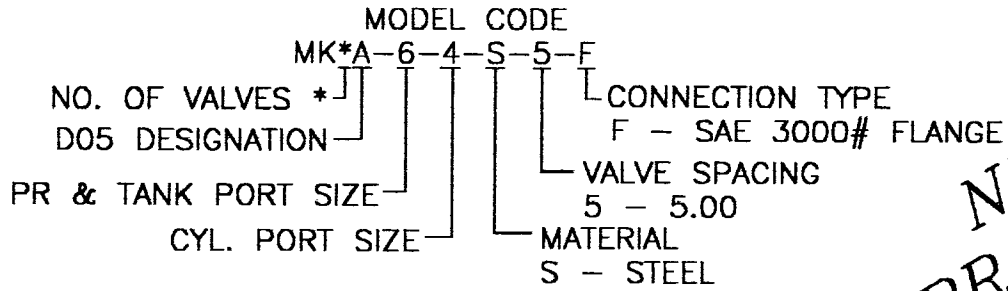
OPTIONAL FEATURES AVAILABLE:
RELIEF CAVITY



MED-KAS HYDRAULICS, INC.
 P.O. BOX 1163 1419 JOHN R
 TROY, MI. 48099 TROY, MI. 48083
 TEL: 248-585-3220 FAX # 248 585-0646
 WEB SITE: www.med-kas.com E-MAIL: info@med-kas.com

D05 PARALLEL CIRCUIT MANIFOLD

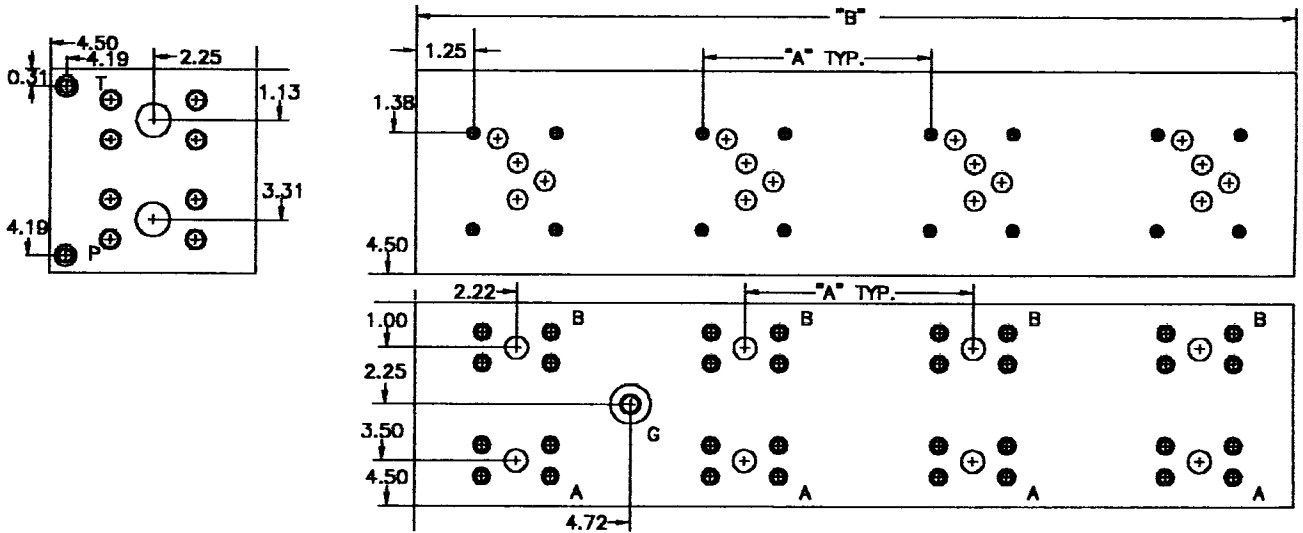
SEE TECHNICAL INFORMATION SECTION FOR VALVE MOUNTING DIMENSIONS



**NEW
PRODUCT**

SPECIFICATIONS

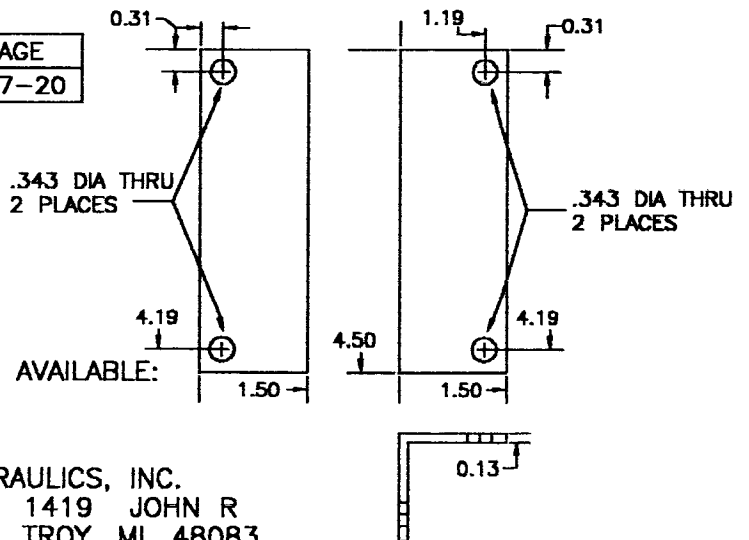
		"B" DIMENSION						
NO. OF STATIONS		2	3	4	5	6	7	8
"A"	5.00 CENTERS	9.31	14.31	19.31	24.31	29.31	34.31	39.31
MTG. HOLES USED		2 MTG HOLES PROVIDED ON EACH END						



	PR & TK	A & B	GAGE
SAE FLANGE	.750	.500	.437-20

STANDARD FEATURES INCLUDE:
 GAGE PORT WITH PLUG INSTALLED
 MOUNTING KIT CONSISTING OF:
 2 BRACKETS
 4 .312-18 HEX BOLTS
 4 LOCK WASHERS

OPTIONAL FEATURES AVAILABLE:
 RELIEF CAVITY
 METRIC THREADS



MED-KAS HYDRAULICS, INC.
 P.O. BOX 1163 TROY, MI. 48099
 TEL: 248-585-3220
 WEB SITE: www.med-kas.com

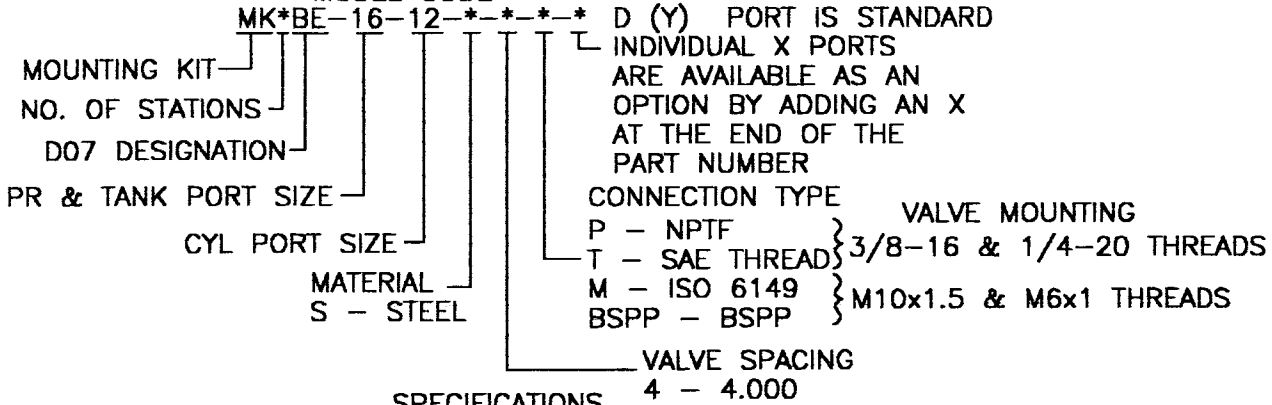
1419 JOHN R TROY, MI. 48083
 FAX # 248 585-0646
 E-MAIL: info@med-kas.com

SPECIFICATIONS SUBJECT TO CHANGE WITHOUT NOTICE

D07 PARALLEL CIRCUIT MANIFOLD

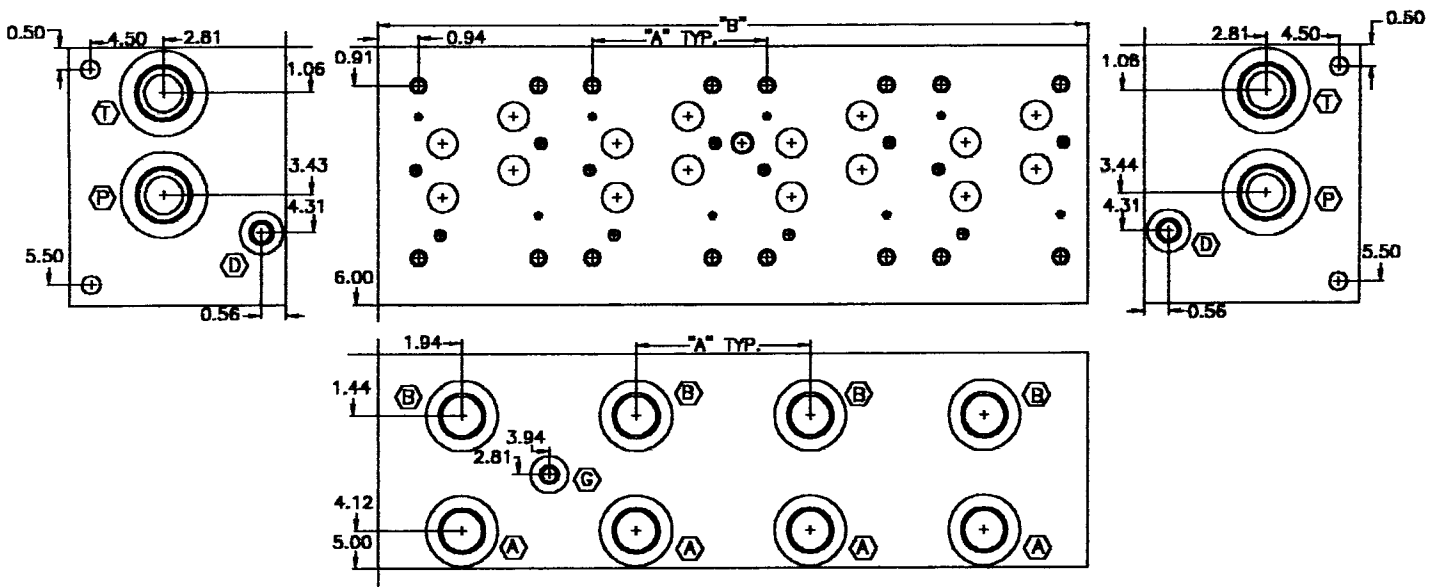
SEE TECHNICAL INFORMATION SECTION FOR VALVE MOUNTING DIMENSIONS

MODEL CODE



SPECIFICATIONS

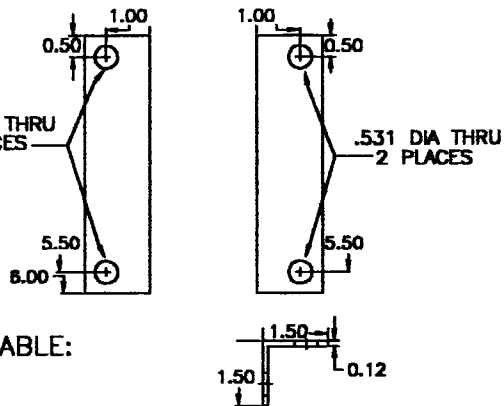
NO. OF STATIONS	"B" DIMENSION							
	1	2	3	4	5	6	7	8
"A" 4.00 CENTERS	4.31	8.31	12.31	16.31	20.31	24.31	28.31	32.31



	PR & TK	A & B	GAGE	D
SAE THREAD	1.312-12	1.062-12	.437-20	.562-18
NPTF	1.00-11.5	.750-14	.250-18	.250-18
6149	M33x2	M27x2	M12x1.5	M16x1.5
BSPP	1.00x11	.750x14	.250x19	.250x19

- STANDARD FEATURES INCLUDE:
 (SAE AND NPT MANIFOLDS ONLY)
 GAGE PORT WITH PLUG INSTALLED
 MOUNTING KIT CONSISTS OF:
 2 BRACKETS
 4 .500-13 HEX BOLTS
 4 LOCK WASHERS

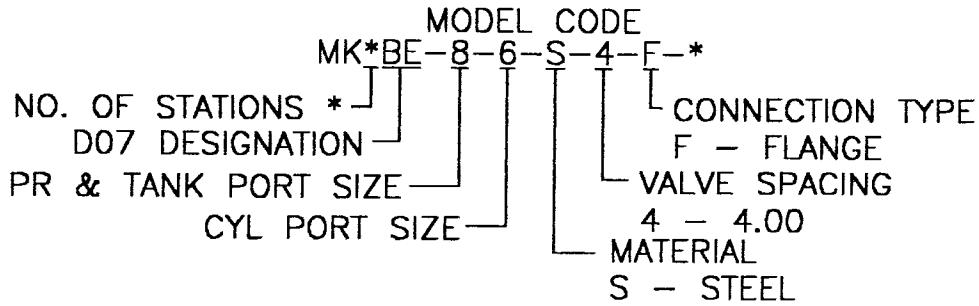
OPTIONAL FEATURES AVAILABLE:
 RELIEF CAVITY



MED-KAS HYDRAULICS, INC.
 P.O. BOX 1163 1419 JOHN R
 TROY, MI. 48099 TROY, MI. 48083
 TEL: 248-585-3220 FAX # 248 585-0646
 WEB SITE: www.med-kas.com E-MAIL: info@med-kas.com

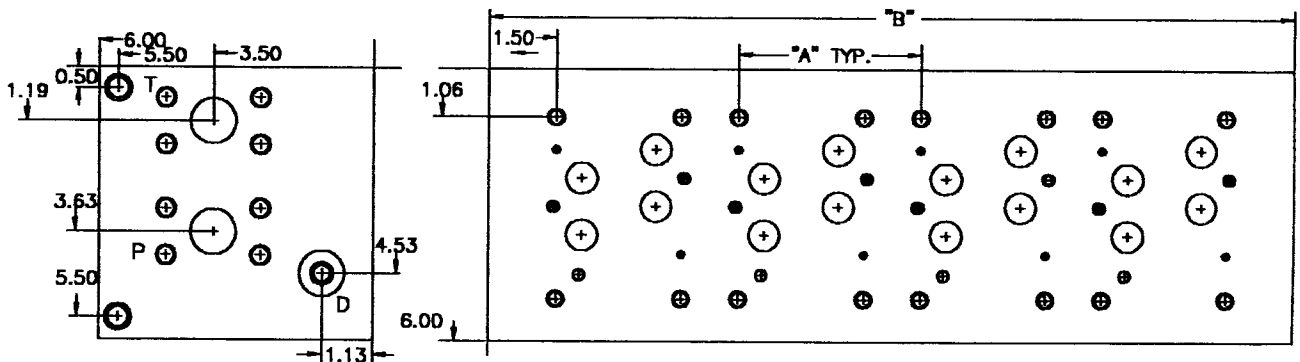
D07 PARALLEL CIRCUIT MANIFOLD

SEE TECHNICAL INFORMATION SECTION FOR VALVE MOUNTING DIMENSIONS



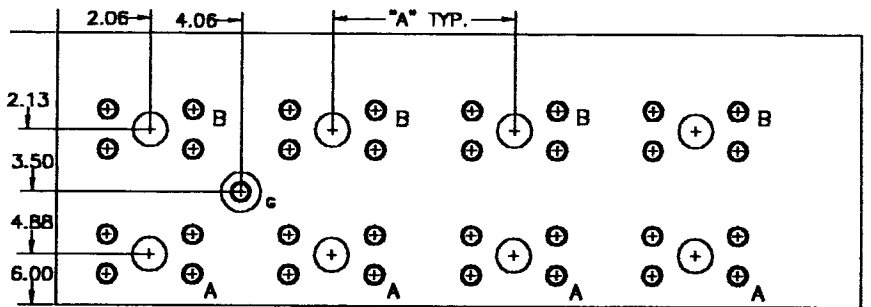
SPECIFICATIONS

"A"	NO. OF STATIONS	"B" DIMENSION						
		2	3	4	5	6	7	8
	4.00 CENTERS	9.50	13.50	17.50	21.50	25.50	29.50	33.50
	MTG. HOLES USED	2 MTG HOLES PROVIDED ON EACH END						

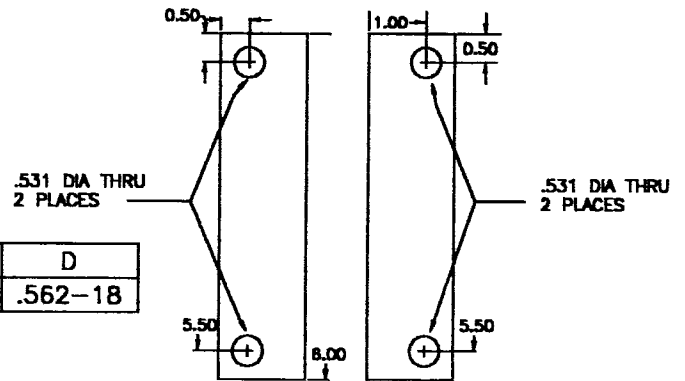


Y PORT IS STANDARD
INDIVIDUAL X PORTS
ARE AVAILABLE AS AN
OPTION BY ADDING AN X
AT THE END OF THE
PART NUMBER

OPTIONAL FEATURES AVAILABLE:
RELIEF CAVITY
METRIC THREADS
* NUMBER OF STATIONS TO SUIT



STANDARD FEATURES INCLUDE:
GAGE PORT WITH PLUG INSTALLED
MOUNTING KIT CONSISTS OF:
2 BRACKETS
4. .500-13 HEX BOLTS
4. LOCK WASHERS



	PR & TK	A & B	GAGE	D
SAE FLANGE	1.00	.750	.437-20	.562-18



MED-KAS HYDRAULICS, INC.
P.O. BOX 1163 1419 JOHN R
TROY, MI. 48099 TROY, MI. 48083
TEL: 248-585-3220 FAX # 248 585-0646
WEB SITE: www.med-kas.com E-MAIL: info@med-kas.com

SPECIFICATIONS SUBJECT TO CHANGE WITHOUT NOTICE

D08 PARALLEL CIRCUIT MANIFOLD

SEE TECHNICAL INFORMATION SECTION FOR VALVE MOUNTING DIMENSIONS

MODEL CODE

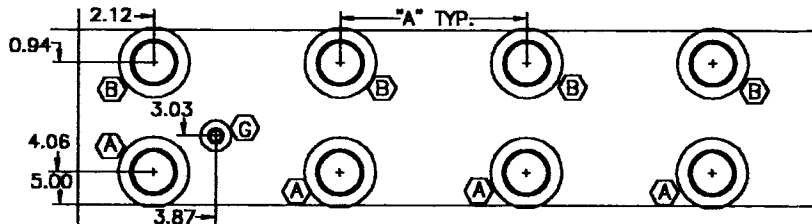
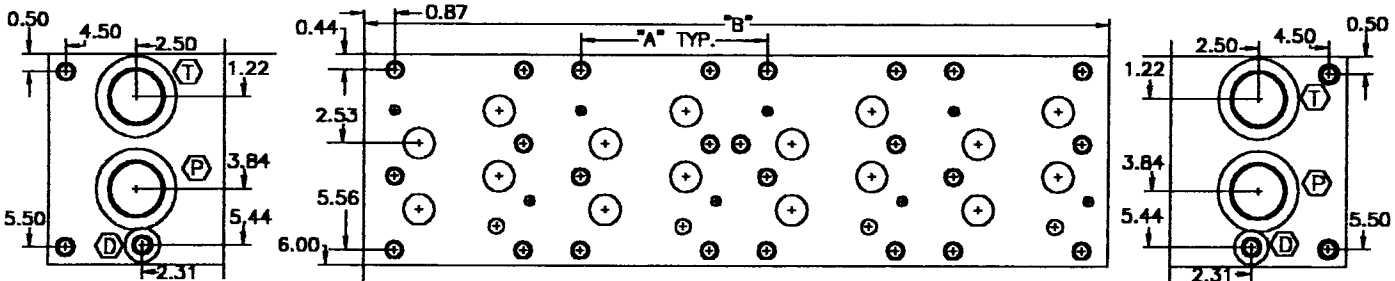
MK*CV-20-16-**-**-**

MOUNTING KIT
 NO. OF VALVES
 D08 DESIGNATION
 PR & TANK PORT SIZE
 CYL PORT SIZE
 MATERIAL
 S - STEEL

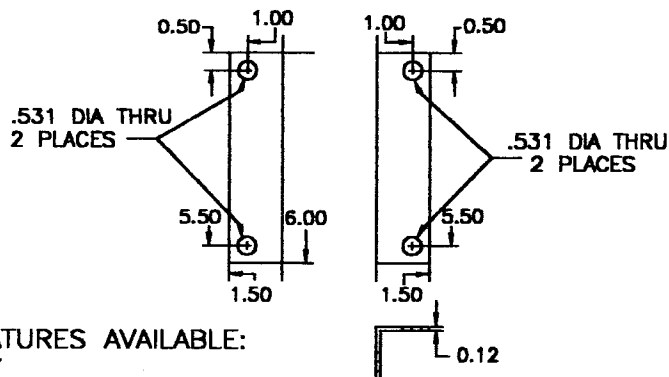
D (Y) PORT IS STANDARD
 INDIVIDUAL X PORTS
 ARE AVAILABLE AS AN
 OPTION BY ADDING AN X
 AT THE END OF THE
 PART NUMBER
 CONNECTION TYPE VALVE MOUNTING
 P - NPTF } 1/2-13 THREADS
 T - SAE THREAD }
 M - ISO 6149 } M12x1.75 THREADS
 BSPP - BSPP }
 VALVE SPACING
 5 - 5.25
 7 - 7.00

SPECIFICATIONS

NO. OF STATIONS	"B" DIMENSION							
	5.25 CENTERS	5.50	10.75	16.00	21.25	26.50	31.75	37.00
7.00 CENTERS	12.50	19.50	26.50	33.50	40.50	47.50	54.50	



	PR & TK	A & B	GAGE	D
SAE THREAD	1.625-12	1.312-12	.437-20	.562-18
NPTF	1.25-11.5	1.00-11.5	.250-18	.250-18
6149	M42x2	M33x2	M12x1.5	M16x1.5
BSPP	1.25x11	1.00x11	.250x19	.500x14



STANDARD FEATURES INCLUDE:
 GAGE PORT WITH PLUG INSTALLED
 (SAE AND NPT MANIFOLDS ONLY)
 MOUNTING KIT CONSISTS OF:

- 2 BRACKETS
- 4 .500-13 HEX BOLTS
- 4 LOCK WASHERS

OPTIONAL FEATURES AVAILABLE:
 RELIEF CAVITY



MED-KAS HYDRAULICS, INC.
 P.O. BOX 1163 1419 JOHN R
 TROY, MI. 48099 TROY, MI. 48083
 TEL: 248-585-3220 FAX # 248 585-0646
 WEB SITE: www.med-kas.com E-MAIL: info@med-kas.com

D08 PARALLEL CIRCUIT MANIFOLD

SEE TECHNICAL INFORMATION SECTION FOR VALVE MOUNTING DIMENSIONS

MODEL CODE

MK*CV-24-20-*-*-*

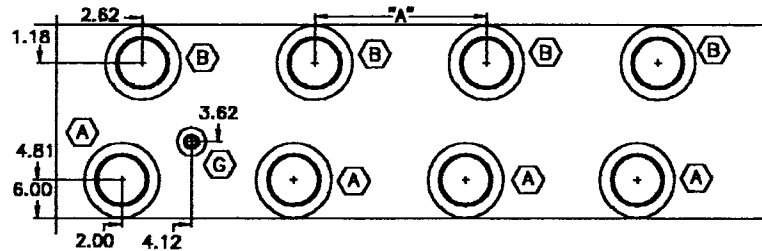
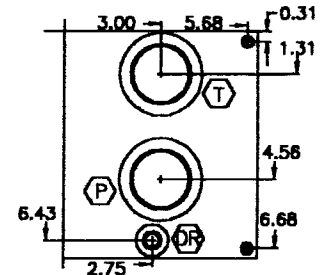
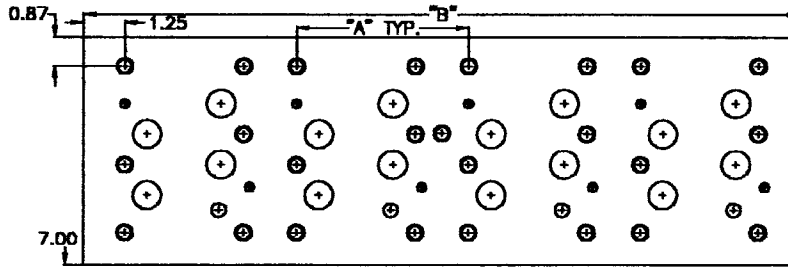
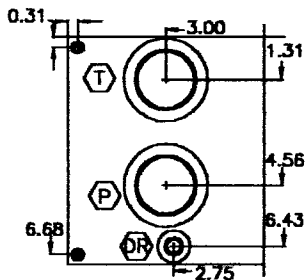
MOUNTING KIT
 NO. OF VALVES
 D08 DESIGNATION
 PR & TANK PORT SIZE
 CYL PORT SIZE
 MATERIAL
 S - STEEL

CONNECTION TYPE
 P - NPTF
 T - SAE THREAD
 M - ISO 6149
 BSPP - BSPP
 VALVE SPACING
 5 - 5.25
 7 - 7.00

Y PORT IS STANDARD
 INDIVIDUAL X PORTS
 ARE AVAILABLE AS AN
 OPTION BY ADDING AN X
 AT THE END OF THE
 PART NUMBER

SPECIFICATIONS

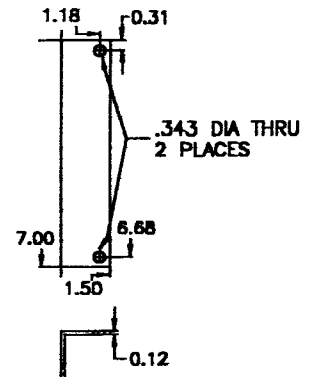
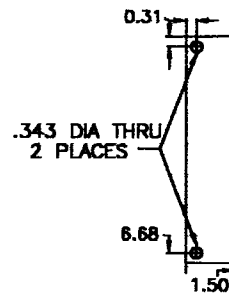
NO. OF STATIONS	"B" DIMENSION							
	1	2	3	4	5	6	7	8
"A" 5.25 CENTERS	5.50	10.75	16.00	21.25	26.50	31.75	37.00	42.25
"A" 7.00 CENTERS		12.50	19.50	26.50	33.50	40.50	47.50	54.50



	PR & TK	A & B	GAGE	DR
SAE THREAD	1.625-12	1.312-12	.437-20	.562-18
NPTF	1.25-11.5	1.00-11.5	.250-18	.250-18
6149	M48x2	M42x2	M12x1.5	M16x1.5
BSPP	1.25x11	1.00x11.5	.250x19	.500x14

STANDARD FEATURES INCLUDE:
 GAGE PORT WITH PLUG INSTALLED
 (SAE AND NPT MANIFOLDS ONLY)
 MOUNTING KIT CONSISTS OF:
 2 BRACKETS
 4 .500-13 HEX BOLTS
 4 LOCK WASHERS

OPTIONAL FEATURES AVAILABLE:
 RELIEF CAVITY

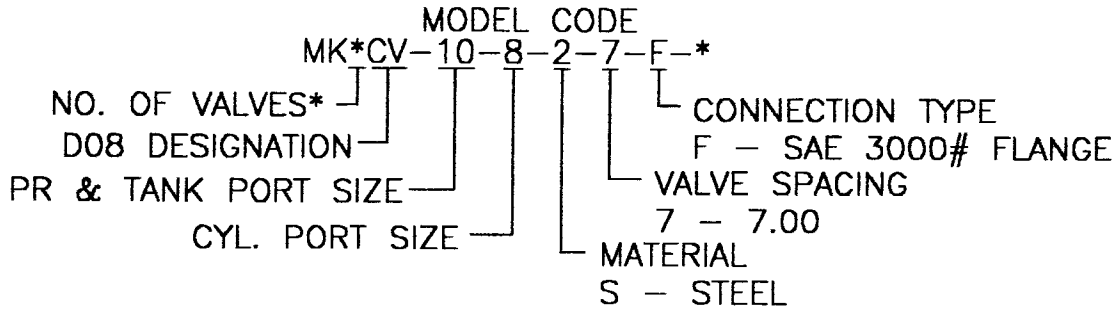


MED-KAS HYDRAULICS, INC.
 P.O. BOX 1163 1419 JOHN R
 TROY, MI. 48099 TROY, MI. 48083
 TEL: 248-585-3220 FAX # 248 585-0646
 WEB SITE: www.med-kas.com E-MAIL: info@med-kas.com

SPECIFICATIONS SUBJECT TO CHANGE WITHOUT NOTICE

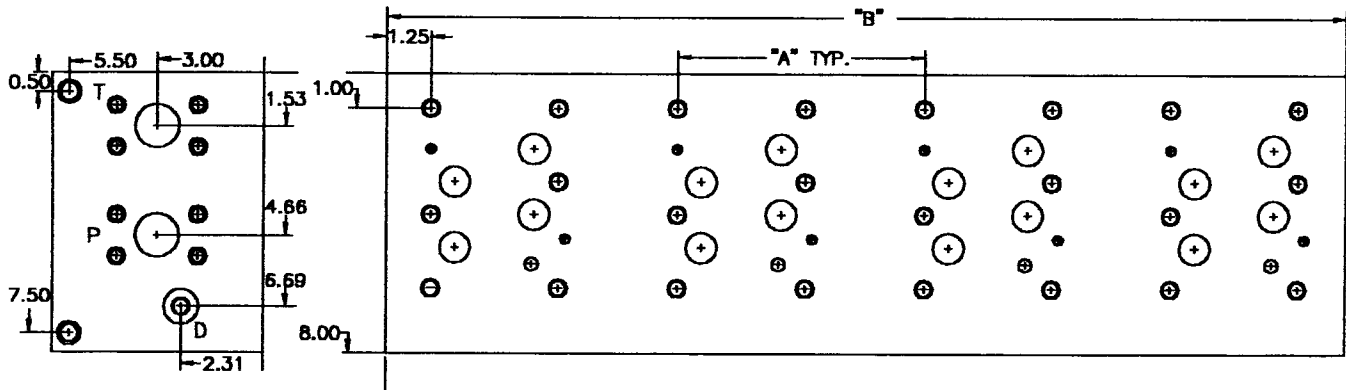
D08 PARALLEL CIRCUIT MANIFOLD

SEE TECHNICAL INFORMATION SECTION FOR VALVE MOUNTING DIMENSIONS

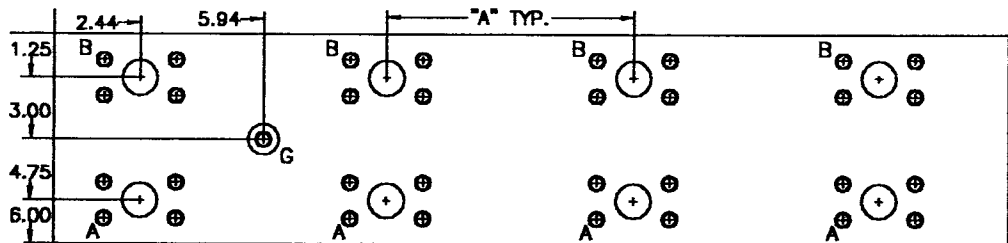


SPECIFICATIONS

		"B" DIMENSION						
NO. OF STATIONS		2	3	4	5	6	7	8
"A"	7.00 CENTERS	13.25	20.25	27.25	34.25	41.25	48.25	55.25
MTG. HOLES USED		2 MTG HOLES PROVIDED ON EACH END						



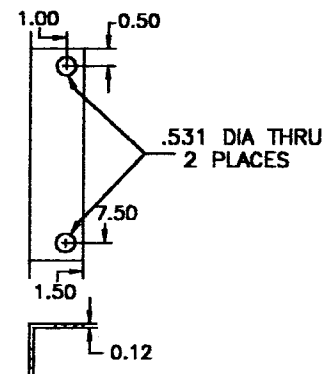
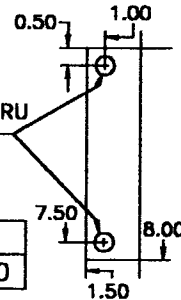
Y PORT IS STANDARD
INDIVIDUAL X PORTS
ARE AVAILABLE AS AN
OPTION BY ADDING AN X
AT THE END OF THE
PART NUMBER



- STANDARD FEATURES INCLUDE:
GAGE PORT WITH PLUG INSTALLED
MOUNTING KIT CONSISTING OF:
2 BRACKETS
4. .500-13 HEX BOLTS
4. LOCK WASHERS

- OPTIONAL FEATURES AVAILABLE:
RELIEF CAVITY
METRIC THREADS
* NUMBER OF STATIONS TO SUIT

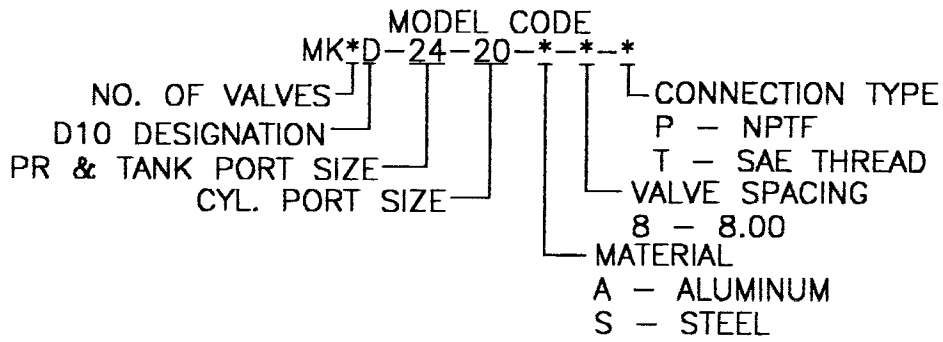
	PR & TK	A & B	D	GAGE
SAE FLANGE	1.250	1.000	.562-18	.437-20



MED-KAS HYDRAULICS, INC.
P.O. BOX 1163 1419 JOHN R
TROY, MI. 48099 TROY, MI. 48083
TEL: 248-585-3220 FAX # 248 585-0646
WEB SITE: www.med-kas.com E-MAIL: info@med-kas.com

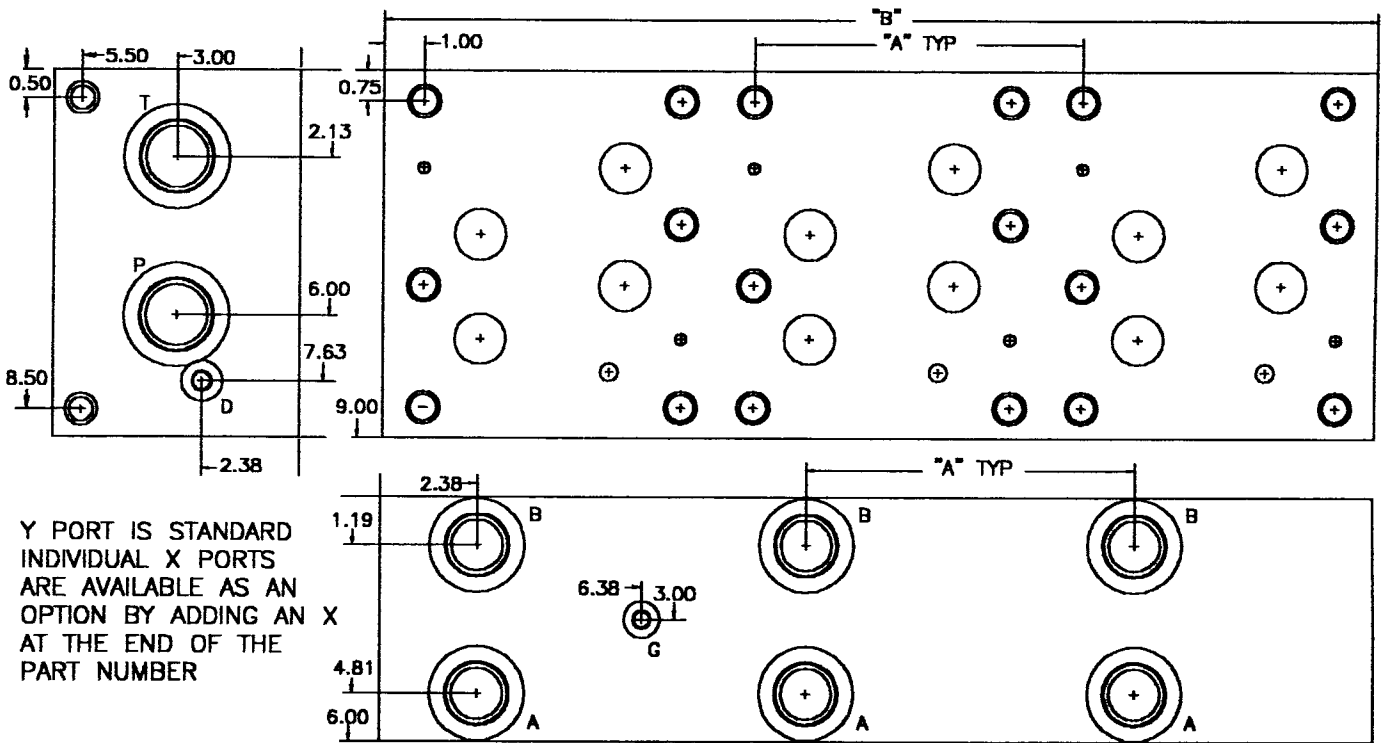
D10 PARALLEL CIRCUIT MANIFOLD

SEE TECHNICAL INFORMATION SECTION FOR VALVE MOUNTING DIMENSIONS



SPECIFICATIONS

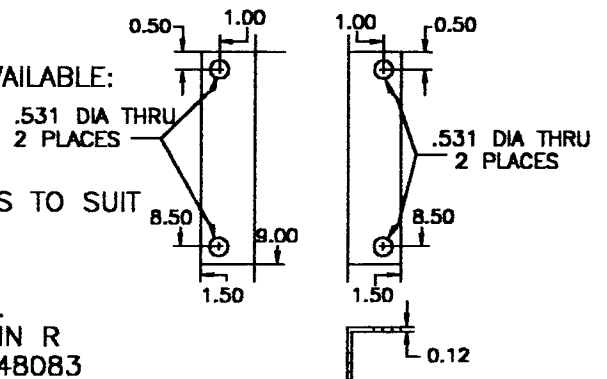
		"B" DIMENSION						
	NO. OF STATIONS	2	3	4	5	6	7	8
"A"	8.00 CENTERS	16.25	24.25	32.25	40.25	48.25	56.25	64.25



	PR & TK	A & B	D	GAGE
SAE THREAD	1.875-12	1.625-12	.750-16	.437-20
NPTF	1.500-11.5	1.250-11.5	.500-14	.250-18

STANDARD FEATURES INCLUDE:
 GAGE PORT WITH PLUG INSTALLED
 MOUNTING KIT CONSISTING OF:
 2 BRACKETS
 4. .500-13 HEX BOLTS
 4. LOCK WAHSERS

OPTIONAL FEATURES AVAILABLE:
 RELIEF CAVITY
 BSPP, BSPT, OR
 METRIC THREADS
 * NUMBER OF STATIONS TO SUIT



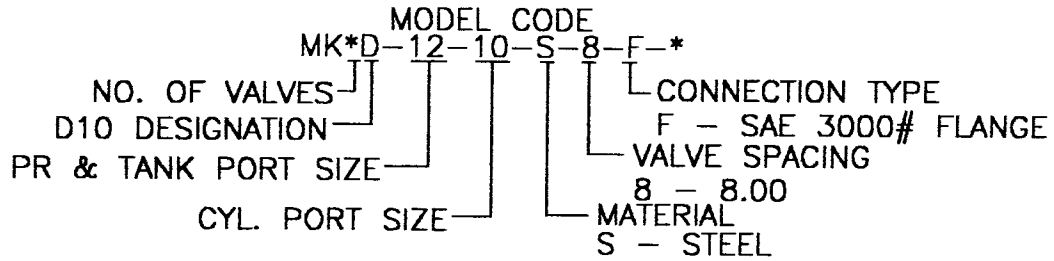
MED-KAS HYDRAULICS, INC.

P.O. BOX 1163	1419 JOHN R
TROY, MI. 48099	TROY, MI. 48083
TEL: 248-585-3220	FAX # 248 585-0646
WEB SITE: www.med-kas.com	E-MAIL: info@med-kas.com

SPECIFICATIONS SUBJECT TO CHANGE WITHOUT NOTICE

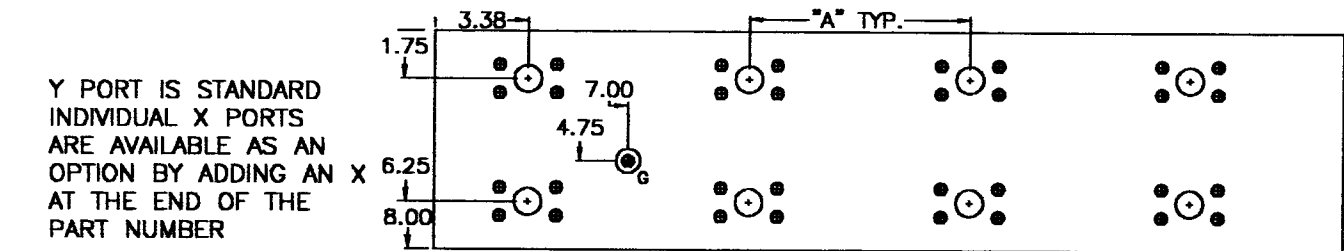
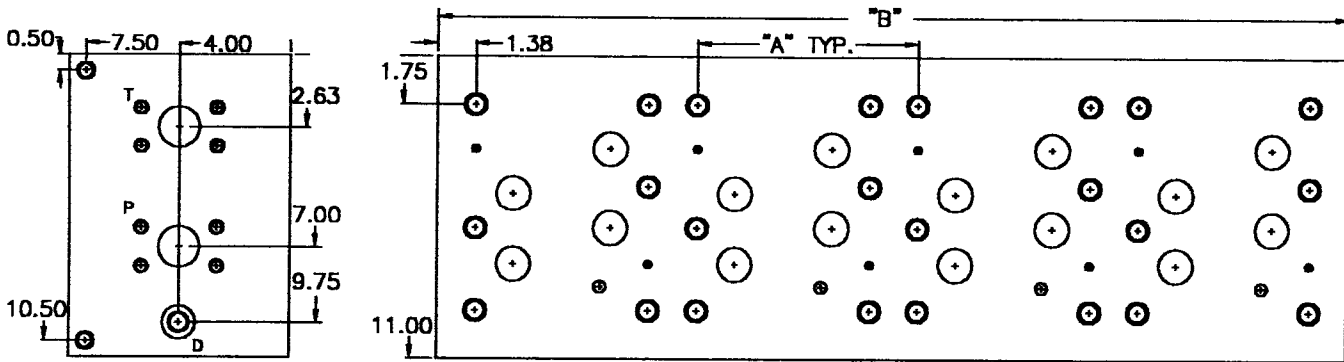
D10 PARALLEL CIRCUIT MANIFOLD

SEE TECHNICAL INFORMATION SECTION FOR VALVE MOUNTING DIMENSIONS



SPECIFICATIONS

		"B" DIMENSION						
NO. OF STATIONS		2	3	4	5	6	7	8
"A"	8.00 CENTERS	17.00	25.00	33.00	41.00	49.00	57.00	65.00

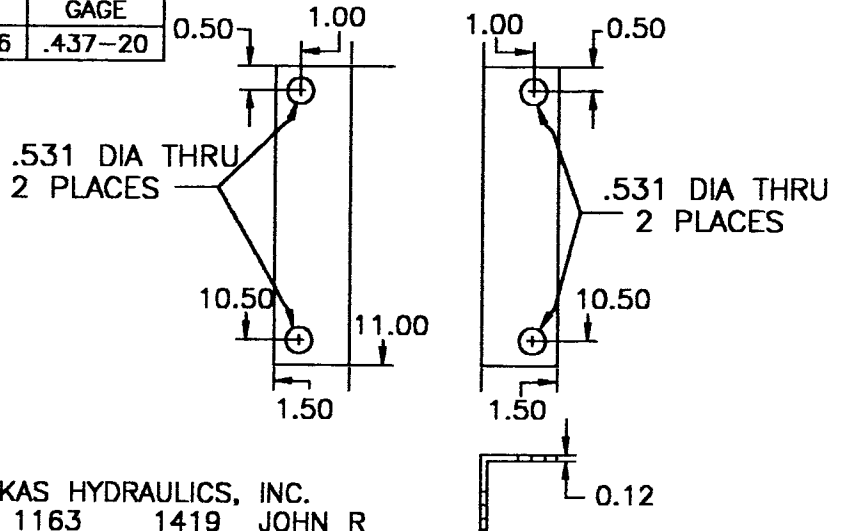


Y PORT IS STANDARD
 INDIVIDUAL X PORTS
 ARE AVAILABLE AS AN
 OPTION BY ADDING AN X
 AT THE END OF THE
 PART NUMBER

	PR & TK	A & B	D	GAGE
SAE FLANGE	1.500	1.250	.750-16	.437-20

STANDARD FEATURES INCLUDE:
 GAGE PORT WITH PLUG INSTALLED
 MOUNTING KIT CONSISTING OF:
 2 BRACKETS
 4. .500-13 HEX BOLTS
 4. LOCK WASHERS

OPTIONAL FEATURES AVAILABLE:
 RELIEF CAVITY
 METRIC THREADS
 * NUMBER OF STATIONS TO SUIT



MED-KAS HYDRAULICS, INC.
 P.O. BOX 1163 1419 JOHN R
 TROY, MI. 48099 TROY, MI. 48083
 TEL: 248-585-3220 FAX # 248 585-0646
 WEB SITE: www.med-kas.com E-MAIL: info@med-kas.com